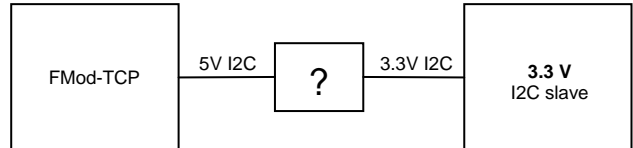


When using FMod-TCP DB or BOX, some I2C slave devices need a 3.3V interface instead of the 5V interface of this product.

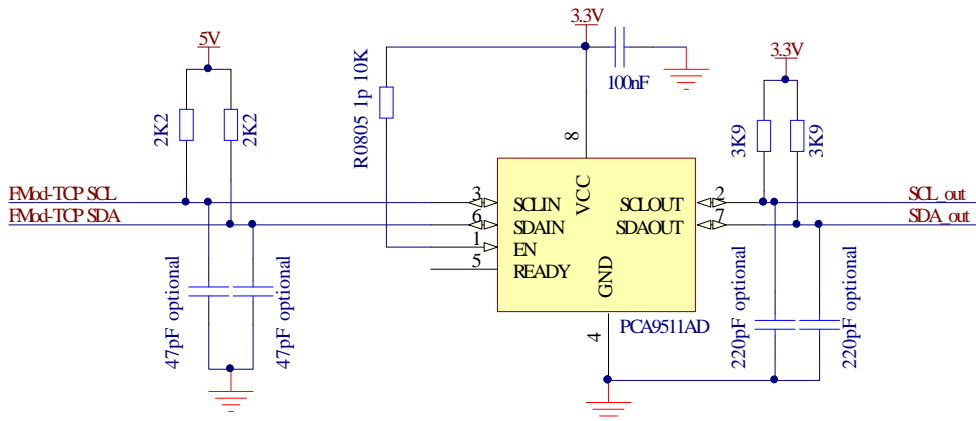
It is possible to use an I2C buffer chip to make the conversion.



PCA9511AD

NXP (former Philips semiconductor) provides the PCA9511AD bus driver that allows this voltage gap.

The following schematic shows how to make this conversion using this chip:



The optional capacitor to ground can be used to change bus load in some situations but should not be used in normal operation.

This circuit can be used for I2C speed up to 400kHz.

Author: Antoine Gardiol 02.2009

Rev 1.0